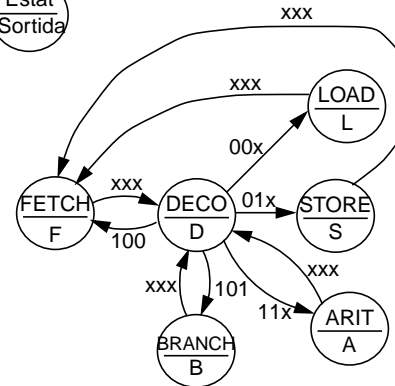
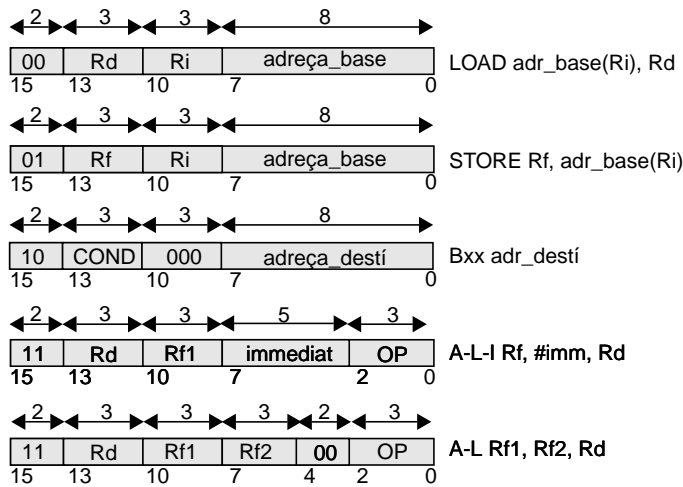
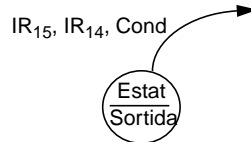


OPERAR	IR <sub>1-0</sub>	O(ALU)
0	xx	B
1	00	A + B
1	01	A - B
1	10	B >> 1
1	11	A and B



	condició	COND
BR	-	000
BEQ	RZ=1 =	001
BL	RN=1 <	010
BLE	RN=1 o RZ=1 ≤	011
BNE	RZ=0 ≠	101
BGE	RN=0 ≥	110
BG	RN=0 i RZ=0 >	111

Instrucció A-L	OP
ADDI	000
SUBI	001
ADD	100
SUB	101
ASR	110
AND	111

Sortides	F	D	A	L	S	B
Ld_IR	1	0	1	0	0	1
Ld_PC	1	0	1	0	0	1
Ld_R@	0	1	0	0	0	0
Ld_RA	0	1	0	0	0	0
Ld_RZ	0	0	1	1	0	0
Ld_RN	0	0	1	1	0	0
ERd	0	0	1	1	0	0
L/E	0	0	0	0	1	0
PC/@	0	X	0	1	1	1
CRf	x	1	2	x	0	x
OPERAR	x	x	1	0	x	x